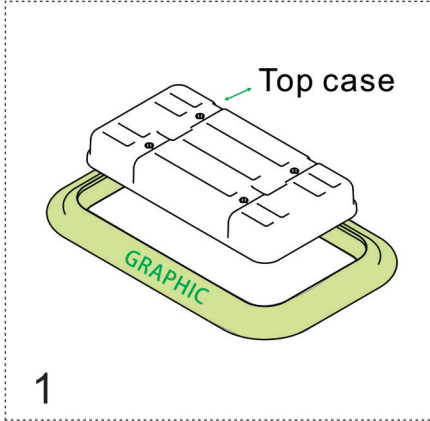
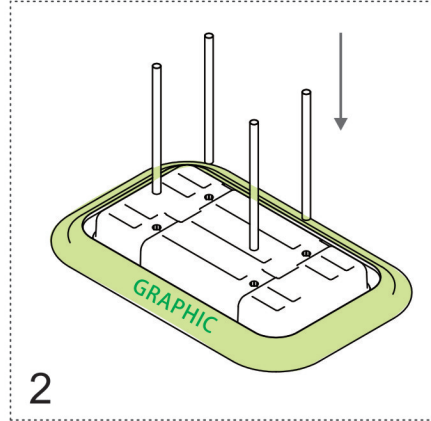


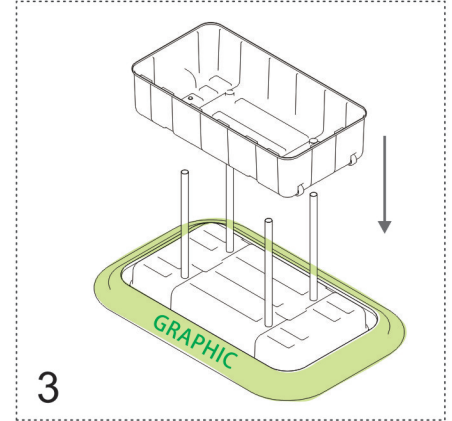
Hard Case to Podium



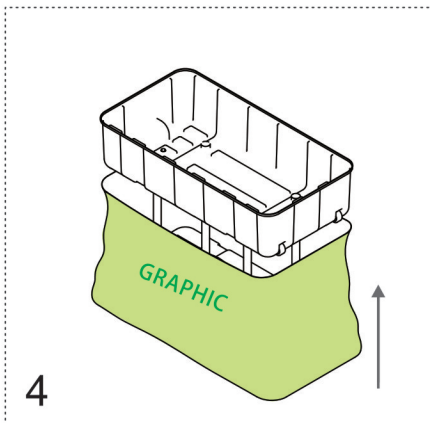
Put the top case(not the side with wheels) in the middle of the graphic.Make sure the zipper in the middle of back side



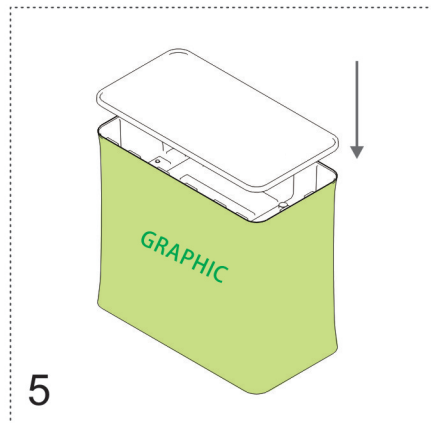
Place the vertical support poles in place firmly



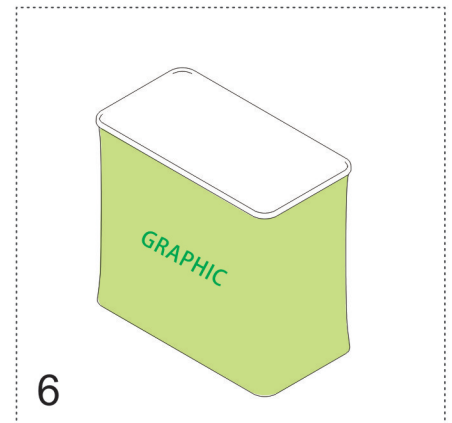
Now lift the bottom case (the one with wheels) and place on top of the support pole,fit the poles same as base



Wrap up the case with the graphic



Make sure all wrinkle are out and fabric looks straight.Put the lid right on top and press to secure



Enjoy!